



Excellenza®

COLLECTION

2025

**EXCLUSIVE KITCHEN,
WARDROBE, SMART FURNITURE
& HARDWARE SOLUTIONS**

EVOLVING, EXCELLENZA IN TOUCHING LIVES



While the core beliefs and earnest business practices have remained the same, a lot of other things are going through transformation, with the change in name.

As the new identity "Excellenza" reflects, we are now aiming at offering truly innovative, path-breaking and revolutionary products and solutions.

The group is now blessed with fresh thinking and ideation, with the new generation assuming active role in the management. We are looking at expanding our product range in thoughtful manners, with an aim of touching lives in the most meaningful ways.



JOURNEY TO EARNING TRUST

Excellence requires experience and time to evolve. But when the endeavours are blessed with fresh thinking and a burning zeal to transform lives, they take desired form swiftly. The story of Excellenza is somewhat similar.

We started our journey with trading in architectural hardware. Since the beginning, we have focused our efforts on just one simple aim: delivering the finest and developing long-term relations.

Insightful business innovations and trustworthy approaches gave momentum to our activities and in the year 2000 we started formalizing and expanding our business under the banner of "Atul Brass Works".

Over the years we have accentuated on upgrading and ensuring the quality of our products as per the international standards. With state-of-the-art research and development facilities, we strive to set benchmarks in whatever we do and offer.

Surpassing the expectations has become a way of life for us. Over the years, earning unflinching trust of scores of business associates and customers has been our biggest achievement. Encouraged with positive vibrations from the markets, we have expanded our product portfolios and ventured into many fields. And now, we are further expanding our wings, under the umbrella identity of EXCELLENZA.

CONTENT



01



02



03



04



05



06

01 Slim Box	03
02 Telescopic Channel	13
03 Drawer Cutley	18
04 Kitchen Counter Accessories	19
05 Duetbin	20
06 Conceal Hinges	21
07 Corner Swing Rack	22
08 Magic Coner Universal	23
09 Cabinet Pullout	24
10 Pantry Tall Unit	25
11 Kitchen Rolling Shutter	27
12 Lift Up System	28
13 Wardrobe Sliding System	31
14 Wardrobe Accessories	34
15 Aluminium Profile	35
16 Smart Furniture	37



07



08



09



10



11



12



13



14



15



16



SLIM BOX

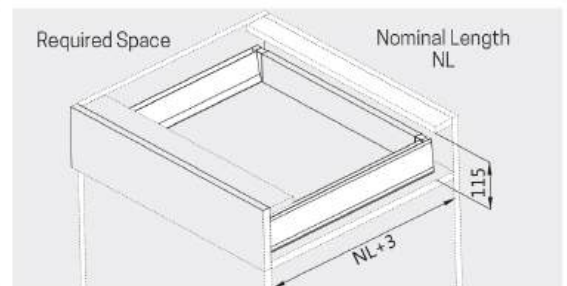
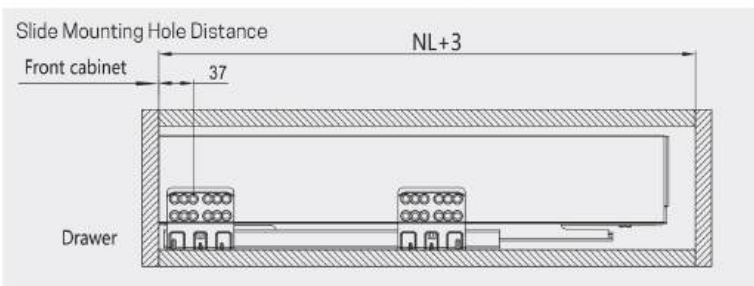
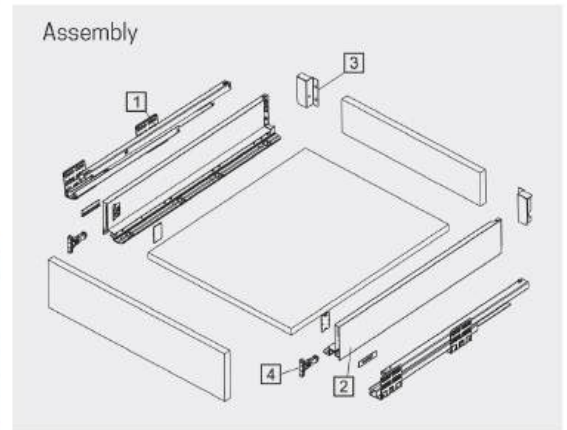
Features

- + Next Generation of kitchen baskets & drawers
- + Smooth operations
- + Easy to install
- + Cost-effective
- + Convenience at its best
- + Easy to clean
- + Maintenance free
- + 40 kg weight capacity



Push Button to detach the Drawer





84mm

Size	Product Code	Side Panel Height	Colors	Master Packing
16"	SL-84-16 WH	84mm	White	06 Pairs
18"	SL-84-18 WH	84mm	White	06 Pairs
20"	SL-84-20 WH	84mm	White	06 Pairs
22"	SL-84-22 WH	84mm	White	06 Pairs
16"	SL-84-16 GR	84mm	Grey	06 Pairs
18"	SL-84-18 GR	84mm	Grey	06 Pairs
20"	SL-84-20 GR	84mm	Grey	06 Pairs
22"	SL-84-22 GR	84mm	Grey	06 Pairs



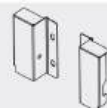
Accessories



Drawer Slide L/R



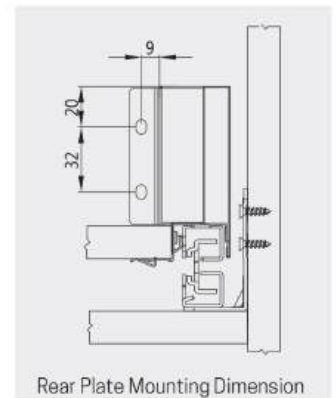
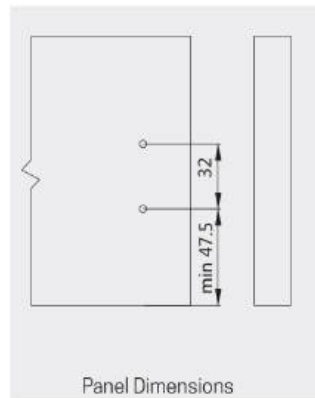
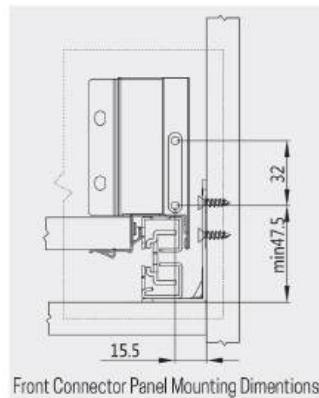
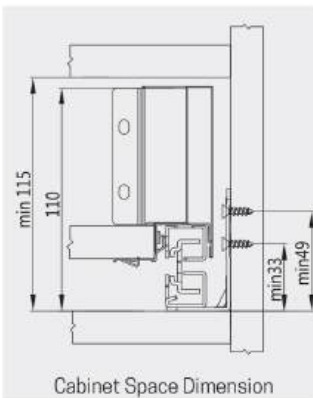
Drawer Panels L/R

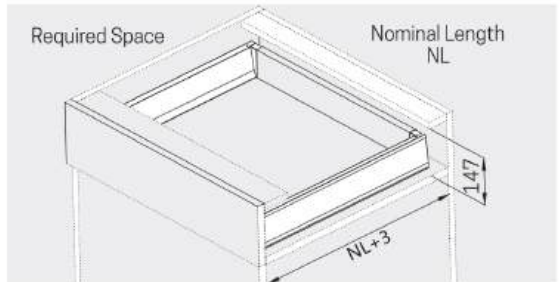
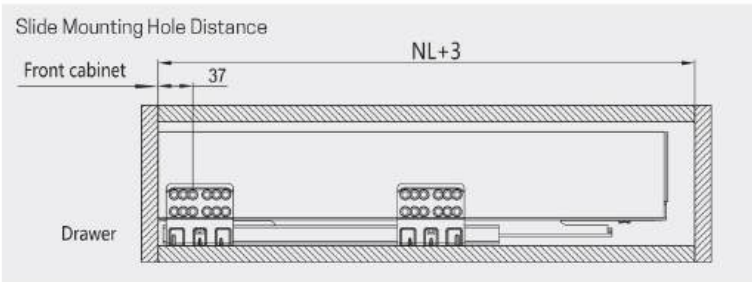
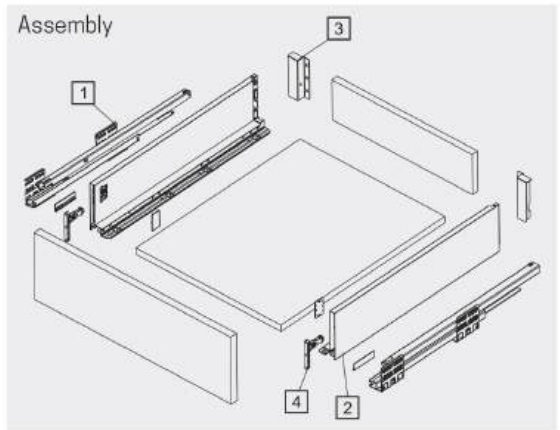


Rear Connector L/R



Front Connector





116mm

Size	Product Code	Side Panel Height	Colors	Master Packing
16"	SL-116-16 WH	116mm	White	06 Pairs
18"	SL-116-18 WH	116mm	White	06 Pairs
20"	SL-116-20 WH	116mm	White	06 Pairs
22"	SL-116-22 WH	116mm	White	06 Pairs
16"	SL-116-16 GR	116mm	Grey	06 Pairs
18"	SL-116-18 GR	116mm	Grey	06 Pairs
20"	SL-116-20 GR	116mm	Grey	06 Pairs
22"	SL-116-22 GR	116mm	Grey	06 Pairs



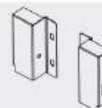
Accessories



Drawer Slide L/R



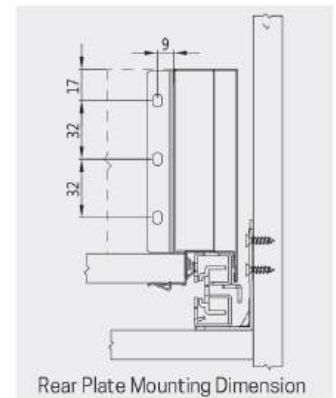
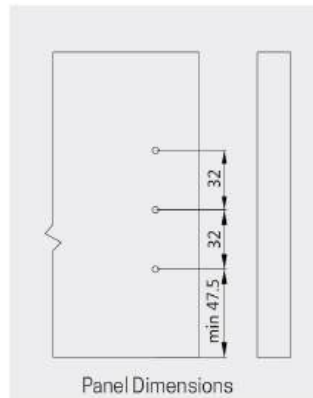
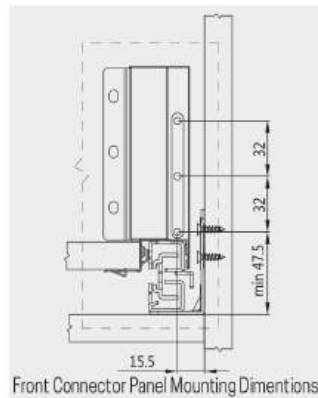
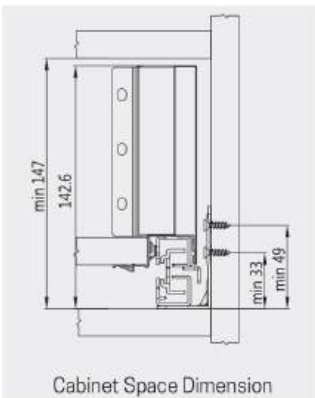
Drawer Panels L/R

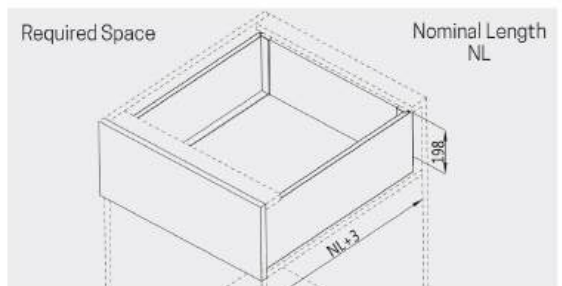
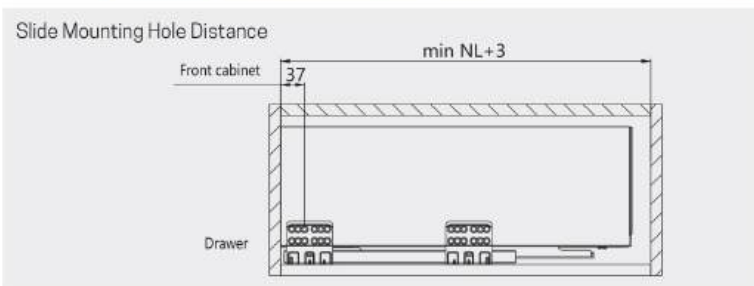
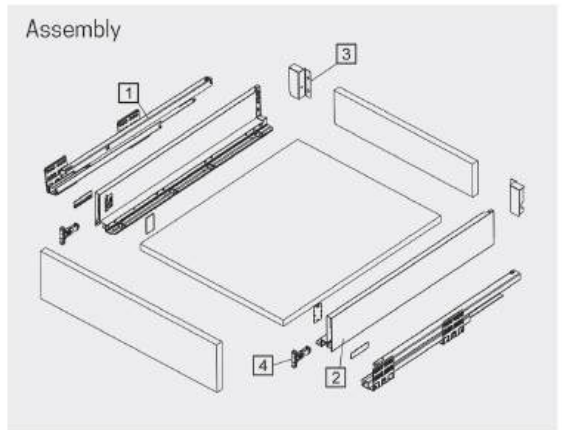


Rear Connector L/R



Front Connector





167mm



Size	Product Code	Side Panel Height	Colors	Master Packing
16"	SL-167-16 WH	167mm	White	05 Pairs
18"	SL-167-18 WH	167mm	White	05 Pairs
20"	SL-167-20 WH	167mm	White	05 Pairs
22"	SL-167-22 WH	167mm	White	05 Pairs
16"	SL-167-16 GR	167mm	Grey	05 Pairs
18"	SL-167-18 GR	167mm	Grey	05 Pairs
20"	SL-167-20 GR	167mm	Grey	05 Pairs
22"	SL-167-22 GR	167mm	Grey	05 Pairs

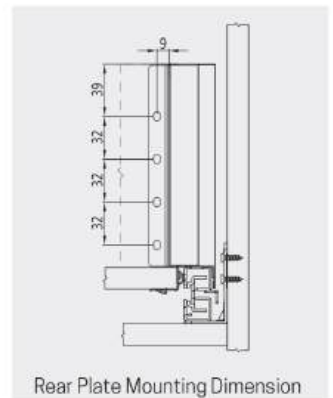
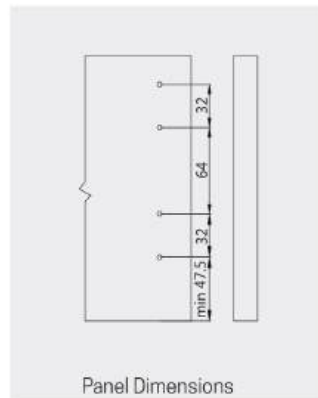
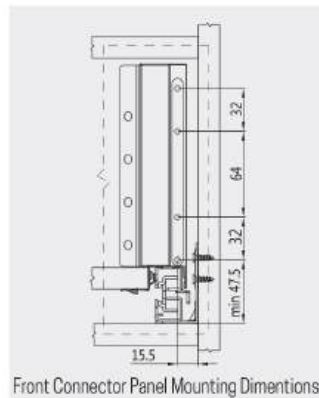
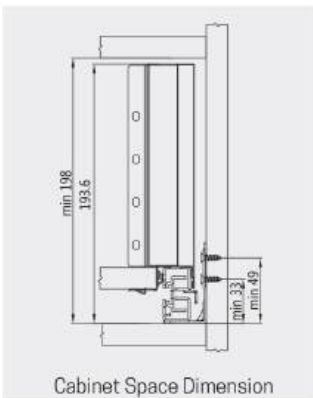
Accessories

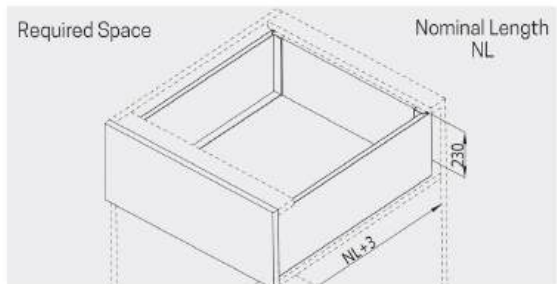
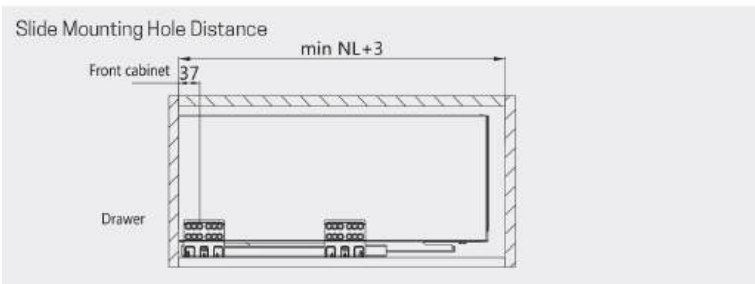
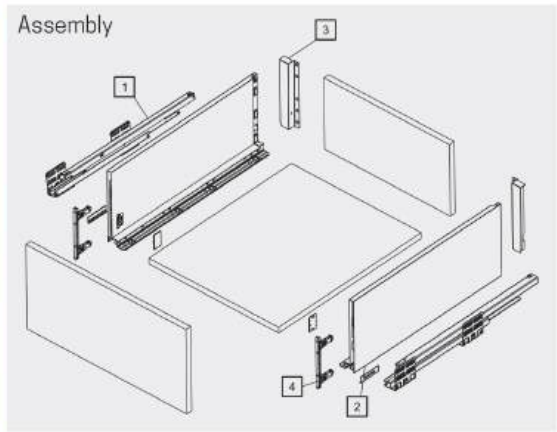
Drawer Slide L/R

Drawer Panels L/R

Rear Connector L/R

Front Connector





199mm

Size	Product Code	Side Panel Height	Colors	Master Packing
16"	SL-199-16 WH	199mm	White	04 Pairs
18"	SL-199-18 WH	199mm	White	04 Pairs
20"	SL-199-20 WH	199mm	White	04 Pairs
22"	SL-199-22 WH	199mm	White	04 Pairs
16"	SL-199-16 GR	199mm	Grey	04 Pairs
18"	SL-199-18 GR	199mm	Grey	04 Pairs
20"	SL-199-20 GR	199mm	Grey	04 Pairs
22"	SL-199-22 GR	199mm	Grey	04 Pairs



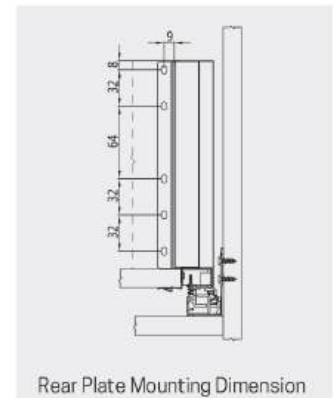
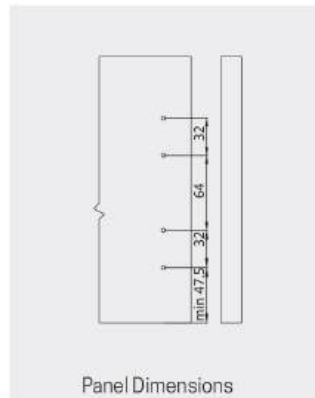
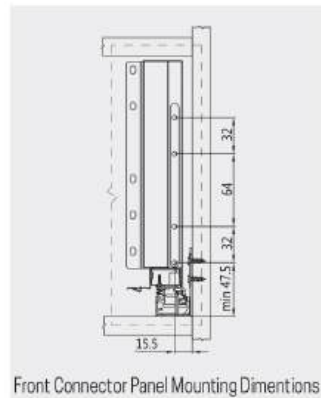
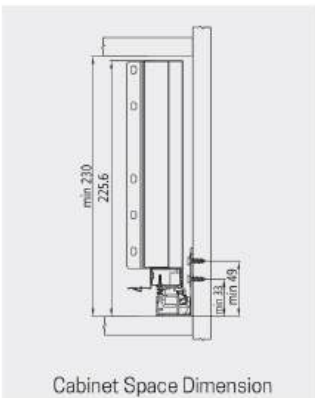
Accessories

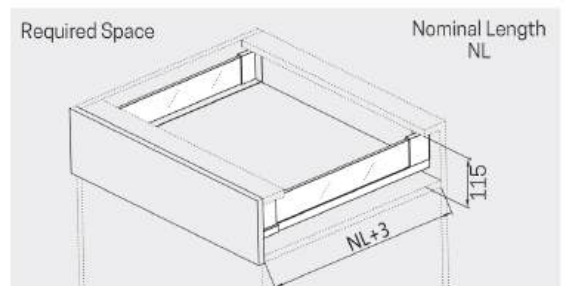
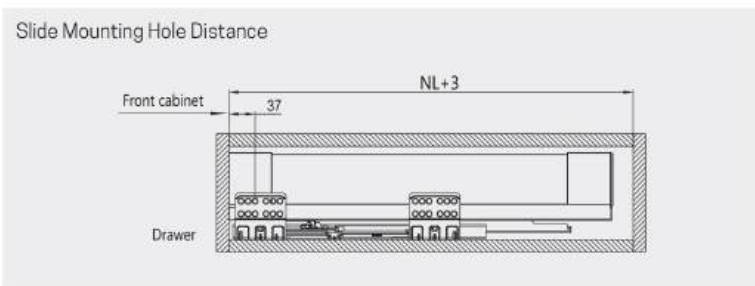
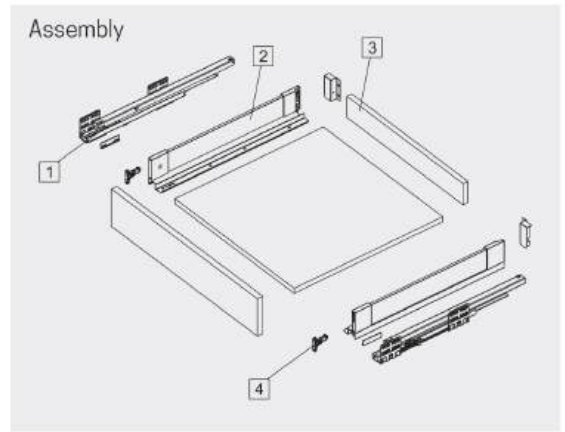
Drawer Slide L/R

Drawer Panels L/R

Rear Connector L/R

Front Connector





84mm Glass

Size	Product Code	Side Panel Height	Colors	Master Packing
16"	SL-GLS-84-16 WH	84mm	White	06 Pairs
18"	SL-GLS-84-18 WH	84mm	White	06 Pairs
20"	SL-GLS-84-20 WH	84mm	White	06 Pairs
22"	SL-GLS-84-22 WH	84mm	White	06 Pairs
16"	SL-GLS-84-16 GR	84mm	Grey	06 Pairs
18"	SL-GLS-84-18 GR	84mm	Grey	06 Pairs
20"	SL-GLS-84-20 GR	84mm	Grey	06 Pairs
22"	SL-GLS-84-22 GR	84mm	Grey	06 Pairs



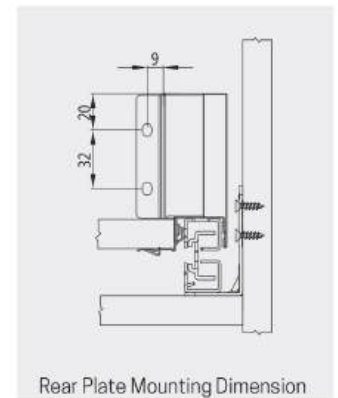
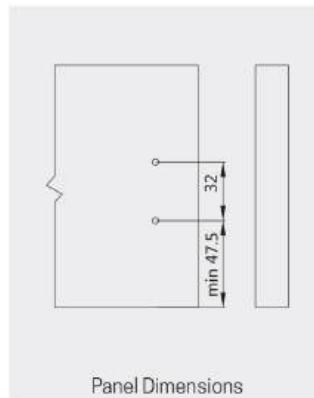
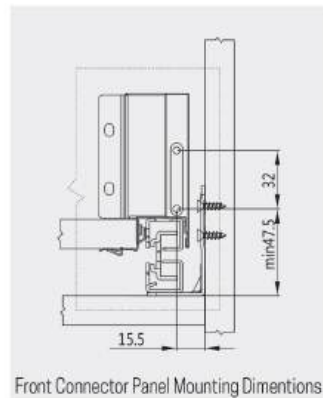
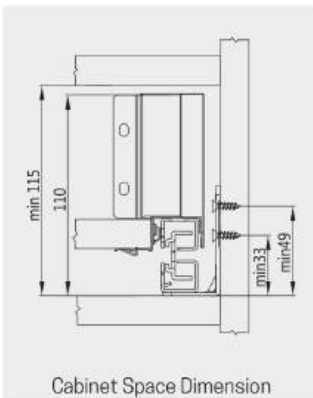
Accessories

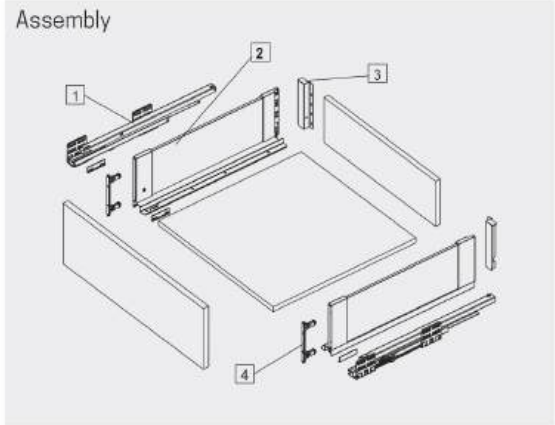
Drawer Slide L/R

Drawer Panels L/R

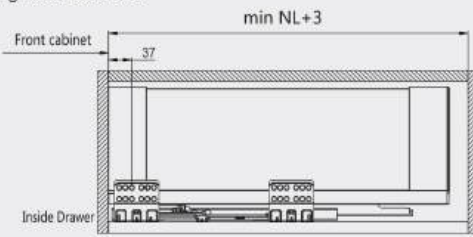
Rear Connector L/R

Front Connector



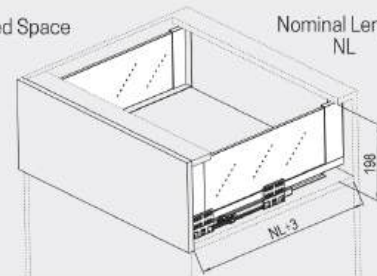


Slide Mounting Hole Distance



Required Space

Nominal Length NL



167mm Glass

Size	Product Code	Side Panel Height	Colors	Master Packing
16"	SL-GLS-167-16 WH	167mm	White	04 Pairs
18"	SL-GLS-167-18 WH	167mm	White	04 Pairs
20"	SL-GLS-167-20 WH	167mm	White	04 Pairs
22"	SL-GLS-167-22 WH	167mm	White	04 Pairs
16"	SL-GLS-167-16 GR	167mm	Grey	04 Pairs
18"	SL-GLS-167-18 GR	167mm	Grey	04 Pairs
20"	SL-GLS-167-20 GR	167mm	Grey	04 Pairs
22"	SL-GLS-167-22 GR	167mm	Grey	04 Pairs



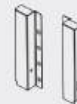
Accessories



Drawer Slide L/R



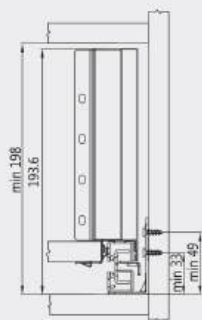
Drawer Panels L/R



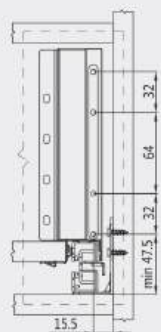
Rear Connector L/R



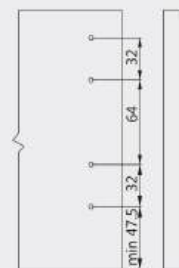
Front Connector



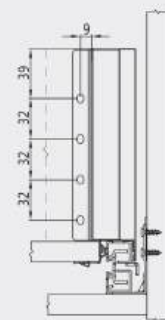
Cabinet Space Dimension



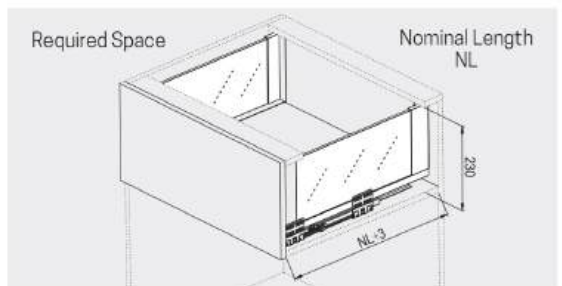
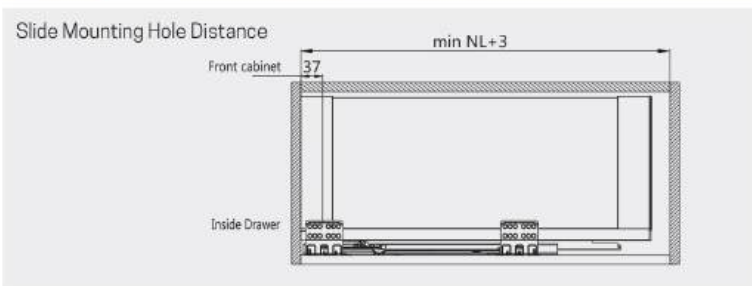
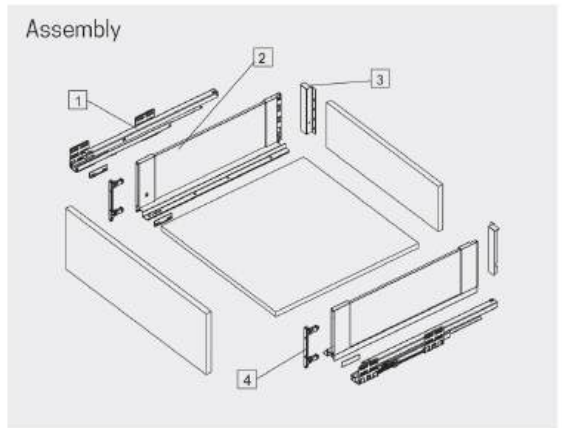
Front Connector Panel Mounting Dimensions



Panel Dimensions



Rear Plate Mounting Dimension



199mm Glass

Size	Product Code	Side Panel Height	Colors	Master Packing
16"	SL-GLS-199-16 WH	199mm	White	04 Pairs
18"	SL-GLS-199-18 WH	199mm	White	04 Pairs
20"	SL-GLS-199-20 WH	199mm	White	04 Pairs
22"	SL-GLS-199-22 WH	199mm	White	04 Pairs
16"	SL-GLS-199-16 GR	199mm	Grey	04 Pairs
18"	SL-GLS-199-18 GR	199mm	Grey	04 Pairs
20"	SL-GLS-199-20 GR	199mm	Grey	04 Pairs
22"	SL-GLS-199-22 GR	199mm	Grey	04 Pairs



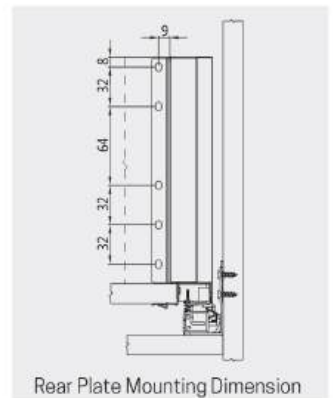
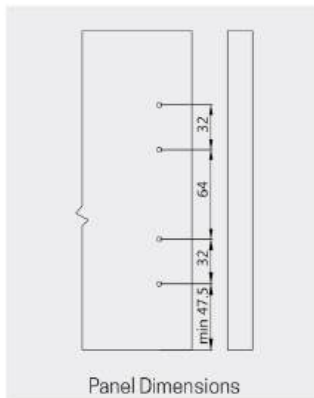
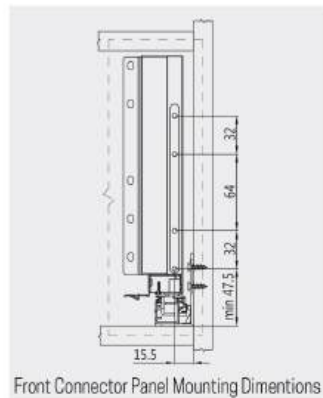
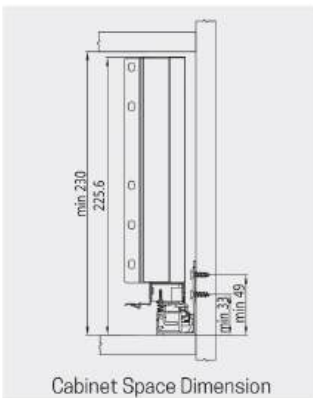
Accessories

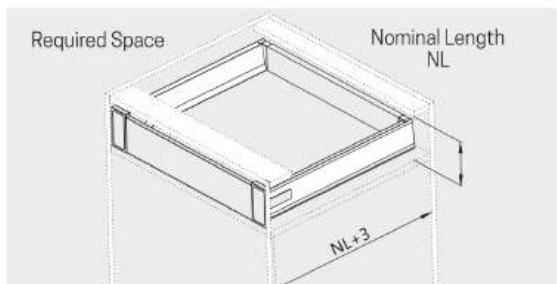
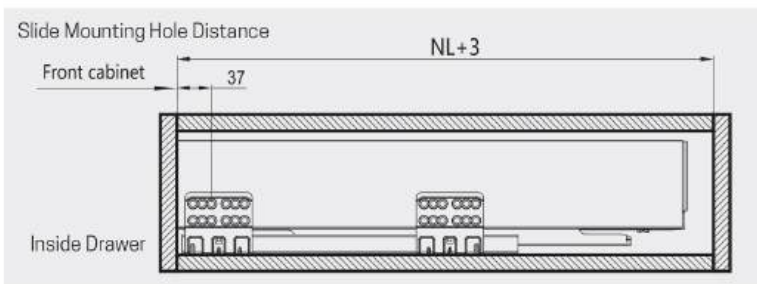
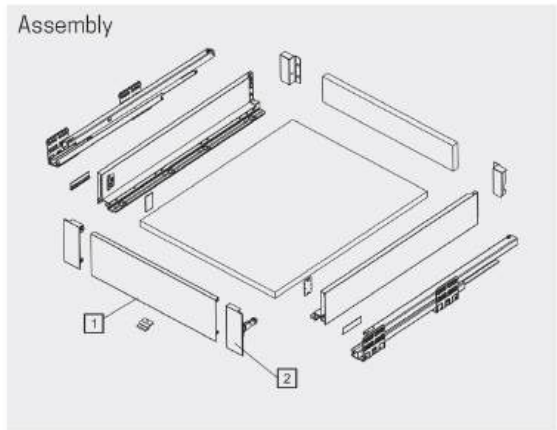
Drawer Slide L/R

Drawer Panels L/R

Rear Connector L/R

Front Connector

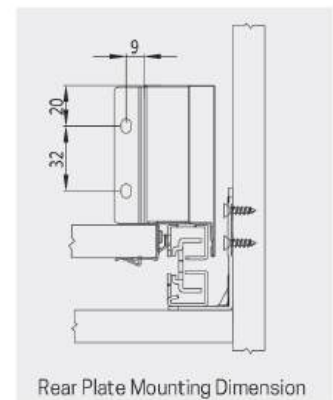
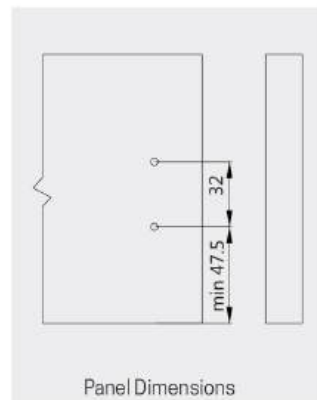
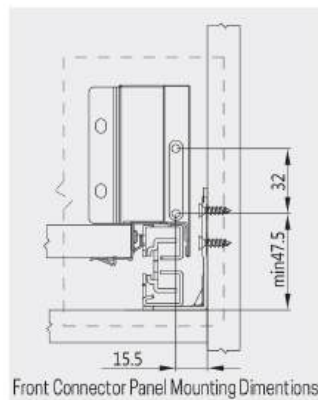
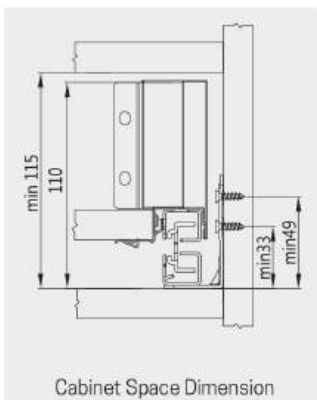


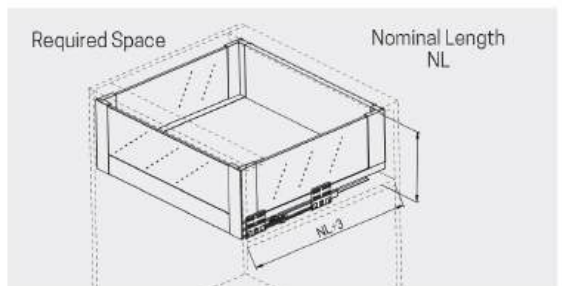
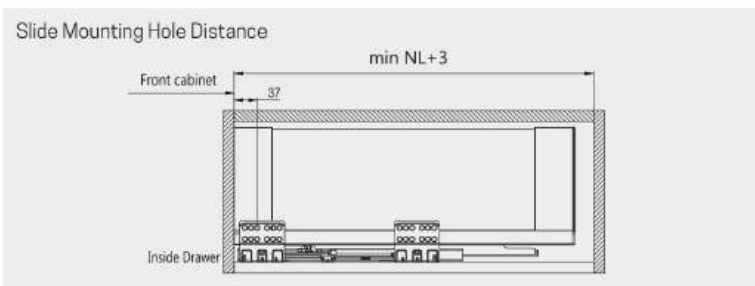
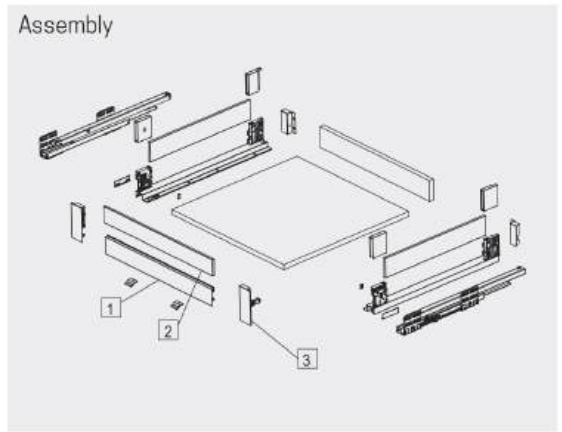


84/167/199mm INNER DRAWER



Product Code	Panel Length	Colors	Drawer Height
SL-PAN-WH	1200mm	White	84/167/199mm
SL-PAN-GR	1200mm	Grey	84/167/199mm
SL-ROD-WH	1200mm	White	167/199mm
SL-ROD-GR	1200mm	Grey	167/199mm
SL-CON-WH	-	White	84/167/199mm
SL-CON-GR	-	Grey	84/167/199mm

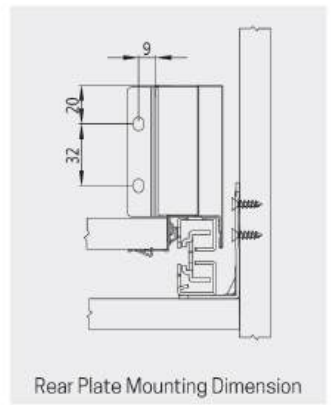
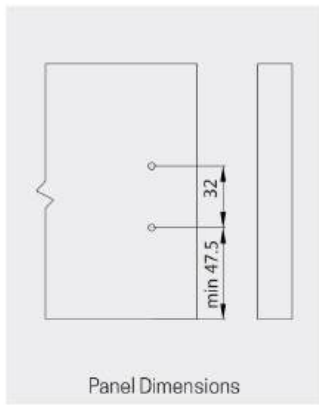
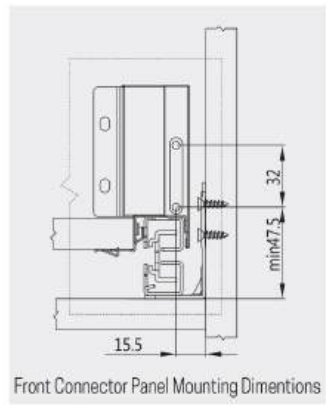
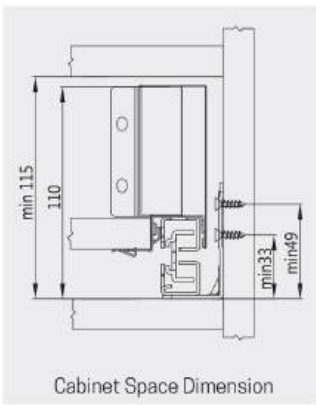




84/167/199mm INNER GLASS DRAWER



Product Code	Panel Length	Colors	Drawer Height
SL-GLS-PAN-WH	1200mm	White	84/167/199mm
SL-GLS-PAN-GR	1200mm	Grey	84/167/199mm
SL-GLS-84-C-WH/GR	-	White, Grey	84mm
SL-GLS-167-C-WH/GR	-	White, Grey	167mm
SL-GLS-199-C-WH/GR	-	White, Grey	199mm



TELESCOPIC CHANNEL PREMIUM SERIES



- + **Material**
Hardened Cold Rolled Steel
- + **Finishing**
Electro Zinc Plated Blue, Electrophoresis (black)
- + **Weight Capacity**
35 Kgs.

Size	Product Code	Master Packing
10"	PRM-10	15 Pairs
12"	PRM-12	15 Pairs
14"	PRM-14	15 Pairs
16"	PRM-16	15 Pairs
18"	PRM-18	15 Pairs
20"	PRM-20	15 Pairs
22"	PRM-22	15 Pairs
24"	PRM-24	15 Pairs

Features

- + Side mounting, Full extension
- + Quick Separation Mechanism
- + Load Bearing Capacity 35 Kg.
- + Extra Smooth
- + 72 hrs. Salt Spray Tested
- + High Tech Balls

TELESCOPIC CHANNEL CLASSIC SERIES



- + **Material**
Hardened Cold Rolled Steel
- + **Finishing**
Electro Zinc Plated Blue, Electrophoresis (black)
- + **Weight Capacity**
30 Kgs.

Size	Product Code	Master Packing
10"	CLC-10	15 Pairs
12"	CLC-12	15 Pairs
14"	CLC-14	15 Pairs
16"	CLC-16	15 Pairs
18"	CLC-18	15 Pairs
20"	CLC-20	15 Pairs
22"	CLC-22	15 Pairs
24"	CLC-24	15 Pairs

Features

- + Side mounting, Full extension
- + Quick Separation Mechanism
- + Load Bearing Capacity 30 Kg.
- + Extra Smooth
- + 72 hrs. Salt Spray Tested
- + High Tech Balls

TELESCOPIC CHANNEL SMOOTH CLOSING



- + **Material**
Hardened Cold Rolled Steel
- + **Finishing**
Electro Zinc Plated Blue
- + **Weight Capacity**
35 Kgs.

Size	Product Code	Master Packing
10"	SC-10	15 Pairs
12"	SC-12	15 Pairs
14"	SC-14	15 Pairs
16"	SC-16	15 Pairs
18"	SC-18	15 Pairs
20"	SC-20	15 Pairs
22"	SC-22	15 Pairs
24"	SC-24	15 Pairs

Features

- + Side mounting, Full extension
- + Quick Separation Mechanism
- + Perfect experience of Smooth closing
- + 72 hrs. Salt Spray Tested
- + High Tech Balls
- + Assured Quality

TELESCOPIC CHANNEL STAINLESS STEEL



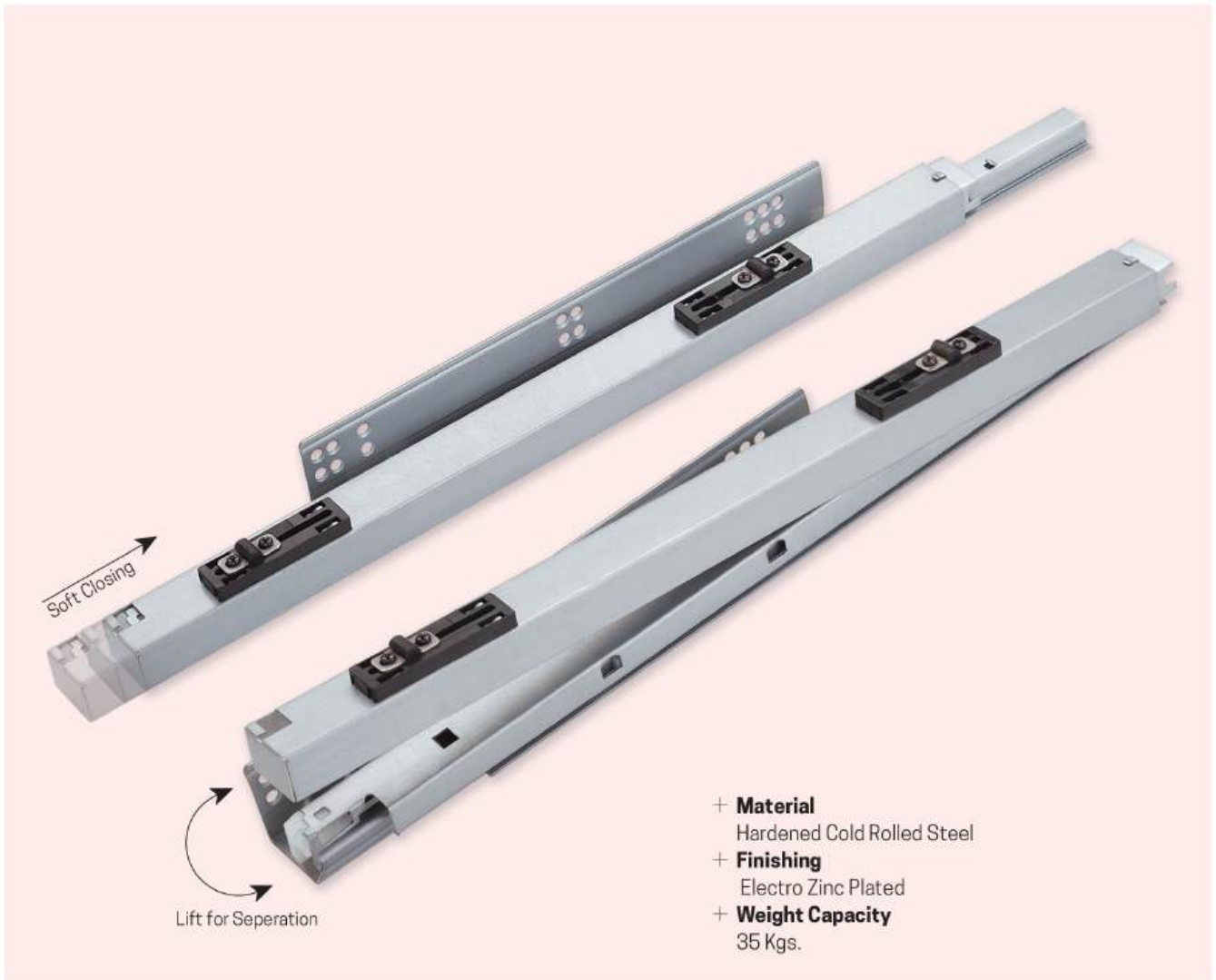
- + **Material**
Stainless Steel
- + **Finishing**
SS
- + **Weight Capacity**
40 Kgs.

Size	Product Code	Master Packing
10"	SS-10	15 Pairs
12"	SS-12	15 Pairs
14"	SS-14	15 Pairs
16"	SS-16	15 Pairs
18"	SS-18	15 Pairs
20"	SS-20	15 Pairs
22"	SS-22	15 Pairs
24"	SS-24	15 Pairs

Features

- + Side mounting, Full extension
- + Quick Separation Mechanism
- + SS ball to prevent Rust and smooth movement
- + High Tech Balls
- + Assured Quality
- + Free from Rust

BASKET CHANNEL SOFT CLOSING



Size	Product Code	Master Packing
16"	B316-16	10 Pairs
18"	B316-18	10 Pairs
20"	B316-20	10 Pairs
22"	B316-22	10 Pairs
24"	B316-24	10 Pairs

Features

- + Side mounting
- + Full extension
- + Mechanism adjustable with all kinds of wire basket
- + Quick Separation Mechanism
- + Load Bearing Capacity 35 Kg.
- + Soft Operations

DRAWER CUTLERY



SS BOWL HOLDER

Product Code	Size (WxDxH) (mm)	Cabinet Size
20"	BOWL-500	10 Pcs.
22"	BOWL-550	10 Pcs.



SS DISH HOLDER

Size	Product Code	Master Packing
20"	DISH-500	5 Pcs.
22"	DISH-550	5 Pcs.



SS THALI HOLDER

Size	Product Code	Master Packing
20"	THALI-500	5 Pcs.
22"	THALI-550	5 Pcs.



PVC CUTLERY-GREY

Product Code	Thickness	Depth	Master Packing
CT-430-483	2.35mm	50mm	10 Pcs.
CT-530-483	2.35mm	50mm	10 Pcs.
CT-630-483	2.35mm	50mm	10 Pcs.
CT-730-483	2.60mm	50mm	10 Pcs.
CT-830-483	2.60mm	50mm	10 Pcs.
CT-430-550	2.35mm	50mm	10 Pcs.
CT-530-550	2.35mm	50mm	10 Pcs.
CT-630-550	2.35mm	50mm	10 Pcs.
CT-730-550	2.60mm	50mm	10 Pcs.
CT-830-550	2.60mm	50mm	10 Pcs.



SS CUTLERY (125)

Product Code	Size
SB-CT-125-500	125mm x 500mm
SB-CT-125-550	125mm x 550mm



SS CUTLERY (600)

Product Code	Size
SB-CT-600-500	600mm x 500mm
SB-CT-600-550	600mm x 550mm

KITCHEN COUNTER ACCESSORIES



SS DISH RACK

Product Code	Size (W x H) (mm)	Cabinet Size
DR-600	565 x 280 x 65	600 mm
DR-900	865 x 280 x 65	900 mm



SS & PVC DISH RACK

Product Code	Size (W x H) (mm)
DR-PVC	470 x 370 x 445



SS MICROWAVE OVEN RACK

Product Code	Size (W x H) (mm)
MR-OVEN	593 x 412 x 355



SS RACK OVER SINK

Product Code	Size (W x H) (mm)
ROS-470	470 x 442 x 10



PVC MATT

Product Code	Width	Length	Color
MAT-500-W	500mm	5 meter	White
MAT-550-DG	550mm	5 meter	Dark Grey

DUSTBIN



SS DUSTBIN

Product Code	Cabinet Size	Capacity
DUST-10L	400 mm	10 Litre



PLASTIC DUSTBIN (DOUBLE)

Product Code	Cabinet Size	Capacity
DUST-DB	300 mm	11Litre + 11Litre



PVC PUSH OPEN DUSTBIN

Product Code	Cabinet Size	Capacity
DB-PO	400 mm	16 Litre

WICKER BASKET



Product Code	Size (WxDxH) (mm)	Cabinet Size
ALP-WB-450-100	414 x 508 x 100	450mm
ALP-WB-450-150	414 x 508 x 150	450mm
ALP-WB-450-200	414 x 508 x 200	450mm
ALP-WB-600-100	564 x 508 x 100	600mm
ALP-WB-600-150	564 x 508 x 150	600mm
ALP-WB-600-200	564 x 508 x 200	600mm

Features

- + Made Of PVC & Aluminium Framing
- + Prevents Rusting, Staining & Molding

ELEVATOR BASKET



Product Code	Size (WxDxH) (mm)	Cabinet Size
EVB-600-GLS-GR	564 x 320 x 550	600mm

Features

- + Full Utilization of Kitchen Top Cabinet
- + Grey Color with Glass
- + Solid Strength



REGULAR HINGE

Product Code	Master Packing
CHR-0	100 Pair
CHR-8	100 Pair
CHR-16	100 Pair



135° HINGE

Product Code	Master Packing
CHR-135	100 Pcs.



165° HINGE

Product Code	Master Packing
CHR-165	100 Pcs.

CONCEAL HINGES

- + **Material**
Stainless Steel
Hardened Cold Rolled Steel
- + **Finishing**
Electro Zinc Plated Blue



SS CONCEAL HINGES

Product Code	Master Packing
CHR-202-0	100 Pair
CHR-202-8	100 Pair
CHR-202-16	100 Pair



SOFT CLOSE SS CONCEAL HINGES

Product Code	Master Packing
CH-202-S-0	100 Pair
CH-202-S-8	100 Pair
CH-202-S-16	100 Pair



SOFT CLOSE 3D/CLIP-ON HINGES

Product Code	Master Packing
CH-S-3D-0	100 Pair
CH-S-3D-8	100 Pair
CH-S-3D-16	100 Pair



SOFT CLOSE CONCEAL HINGES

Product Code	Master Packing
CH-S-0	100 Pair
CH-S-8	100 Pair
CH-S-16	100 Pair



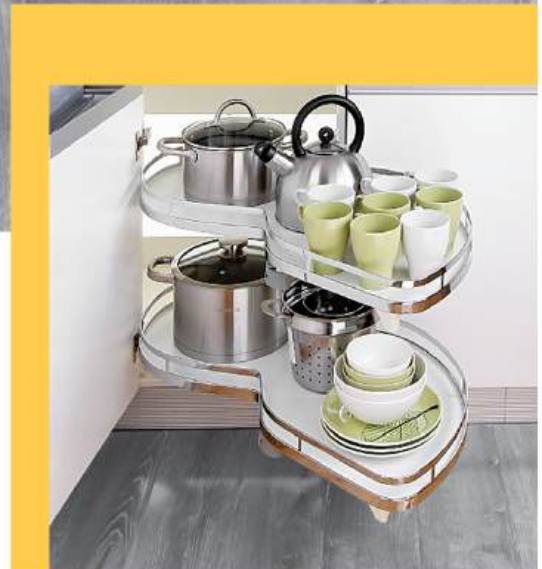
SOFT CLOSE CONCEAL HINGES

Product Code	Master Packing
CH-S-165	100 Pcs.

CORNER SWING RACK

Features

- + Full Utilization of Kitchen Corner
- + Easy Installation
- + Soft Closing
- + Sliding Smoothly without Noise
- + A Single Tray can bear 25 Kgs.



Product Code	Size (WxDxH) (mm)	Color	Cabinet Size	Door Width
CSR-Right WH	815 x 400 x (600-700)	White	900-1000 mm	≥ 450mm
CSR-Left WH	815 x 400 x (600-700)	White	900-1000 mm	≥ 450mm
CSR-Right GR	815 x 400 x (600-700)	Grey	900-1000 mm	≥ 450mm
CSR-Left GR	815 x 400 x (600-700)	Grey	900-1000 mm	≥ 450mm

MAGIC CORNER UNIVERSAL

Features

- + Full Utilization of Kitchen Corner
- + Easy Installation
- + Soft Closing
- + Sliding Smoothly without Noise
- + A Single Tray can bear 25 Kgs.
- + Also Available in glass basket



Product Code	Size (WxDxH) (mm)	Color	Cabinet Size	Door Width
UMC-900-SS	660 x 515 x 600	White	1050-1100 mm	≥ 450mm
UMC-900-GLS-GR	660 x 515 x 600	Grey-Glass	1050-1100 mm	≥ 450mm

CABINET PULL OUT



Product Code	Size (WxDxH) (mm)	Color	Cabinet Size
CPO-200-GLS-GR	160 x 485 x 585	Grey-Glass	200 mm
CPO-250-GLS-GR	210 x 485 x 585	Grey-Glass	250 mm
CPO-300-GLS-GR	260 x 485 x 585	Grey-Glass	300 mm

Product Code	Size (WxDxH) (mm)	Color	Cabinet Size
CPO-200-U	160 x 485 x 585	White	200 mm
CPO-250-U	210 x 485 x 585	White	250 mm
CPO-300-U	260 x 485 x 585	White	300 mm



Features

- + Easy Installation
- + Unique Design
- + Soft Closing
- + Assured Quality
- + Also Available in Glass Basket

PANTRY TALL UNIT

Features

- + Easy Installation
- + Solid strength
- + Value for Money
- + Soft Closing
- + Also Available in Glass Basket



Product Code	Size (WxDxH) (mm)	Color	Cabinet Size	Layer
PTU-450-SS	380 x 510 x (1920-2160)	White	450 mm	06
PTU-600-SS	480 x 510 x (1920-2160)	White	600 mm	06

Product Code	Size (WxDxH) (mm)	Color	Cabinet Size	Layer
PTU-450-GLS-GR	380 x 510 x (1920-2160)	Grey-Glass	450 mm	06
PTU-600-GLS-GR	480 x 510 x (1920-2160)	Grey-Glass	600 mm	06





PULL OUT

Product Code	Size (WxDxH) (mm)	Cabinet Size	Layer
PO-400	350 x 480 x (1850-2150)	400 mm	06

Features

- + Smooth Operations
- + Easy Installation
- + Assured Quality

KITCHEN ROLLING SHUTTER

Material : PVC

Product Code	Size (WxDxH) (mm)	Cabinet Size	Color
RS-SIL-450-1400	450 x 1400	450 mm	Silver
RS-WT-450-1400	450 x 1400	450 mm	White
RS-BLK-450-1400	450 x 1400	450 mm	Black
RS-SIL-600-1400	600 x 1400	600 mm	Silver
RS-WT-600-1400	600 x 1400	600 mm	White
RS-BLK-600-1400	600 x 1400	600 mm	Black



450 mm



600 mm

KITCHEN ROLLING SHUTTER (GLASS)

Material : Glass

Product Code	Size (WxDxH) (mm)	Cabinet Size	Color
RS-FRT-GLS-600	600 x 1400	600 mm	Frosted
RS-WT-GLS-600	600 x 1400	600 mm	White
RS-BK-GLS-600	600 x 1400	600 mm	Black



Frosted



Black

LIFT UP SYSTEM



Gas Spring (Soft Close) 9"

Capacity	Product Code	Master Packing
5 Kg	GS-SC-05	25 Pairs
10 Kg	GS-SC-10	25 Pairs
15 Kg	GS-SC-15	25 Pairs
20 Kg	GS-SC-20	25 Pairs
25 Kg	GS-SC-25	25 Pairs

Gas Spring 12"

Capacity	Product Code	Master Packing
5 Kg	GS-05	25 Pairs
25 Kg	GS-25	25 Pairs
35 Kg	GS-35	25 Pairs



Aluminium Liftup

Product Code	Load Capacity
LU-125	4 to 6 Kgs.



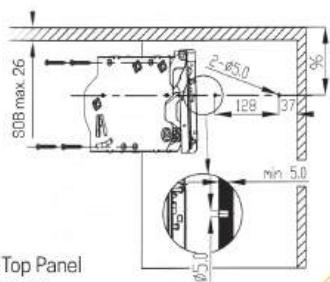
LIFT UP SYSTEM TOP STAYS SMOOTH CLOSING



Product Code	Load Capacity
LU-300-5	3 to 5 Kgs.
LU-500-12	5 to 12 Kgs.

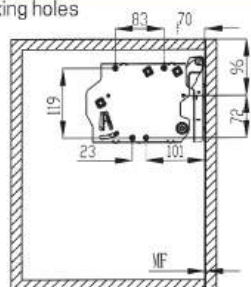
INSTALLATION INSTRUCTIONS

Installation Positioning Holes



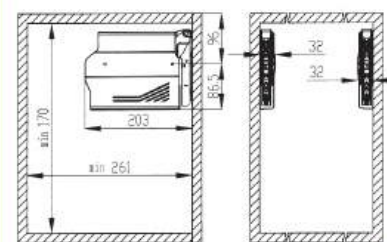
SOB: Top Panel Thickness

Screw Fixing holes



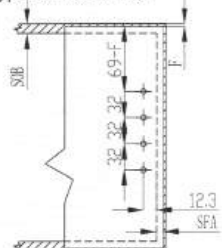
Top panel/door opening space

Space reserved for installing

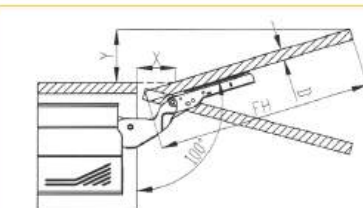


Rebounder Installation Instruction

Mounting plate Installation

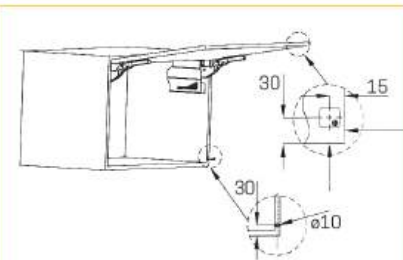


F: Door's gap: 4x wooden screw 4x15mm
SFA: Overlapping part on the door & side panel.



D (mm)	16	18	20	22	24
X (mm)	102	90	79	67	55

Max. opening angle 100° Y-FHx0.17-15+D
FH: Door's height



Use drill driver (with dia 10mm) to drill a hole (with depth 85mm) in the middle of wooden board, then insert the rebound device.

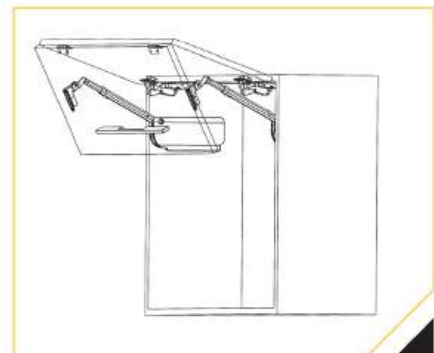
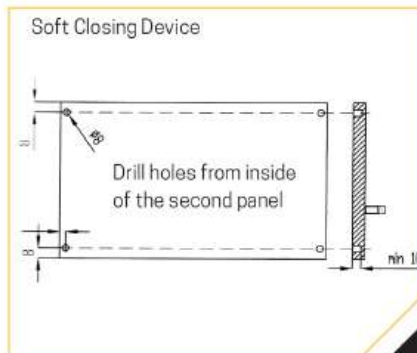
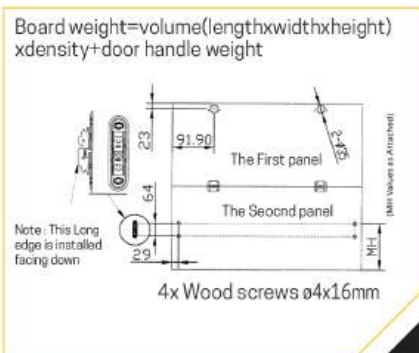
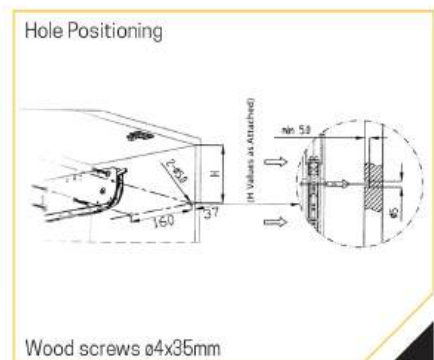
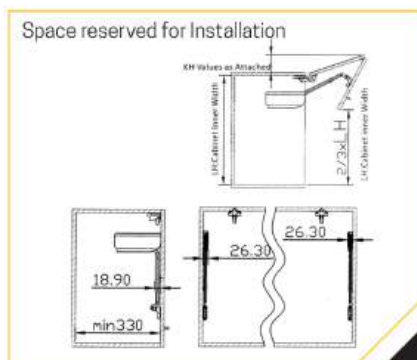
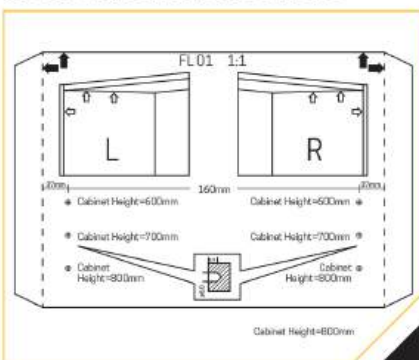
LIFT UP SYSTEM TOP STAYS BI-FOLD



Product Code	Load Capacity
LU-700-9	7 to 9 Kgs.
LU-900-11	9 to 11 Kgs.



INSTALLATION INSTRUCTIONS



WARDROBE CONCEALED SLIDING SYSTEM

Features

- + Easy installation device
- + Both way soft closing
- + Concealed soft closing device
- + Door Thickness 18mm to 25mm
- + Application for wooden wardrobe
- + Automatic position of soft closing device
- + Easy to regulate the door gap by adjusting screw on runner
- + High quality German imported POM material runner, which gives high strength to runner.



Product Code	Door Weight	Door Thickness	No. of Doors
WR-39	≤ 40 Kgs	18 to 25mm	2

Accessories



Concealed Soft Close Device
Qty : 4 Pcs.



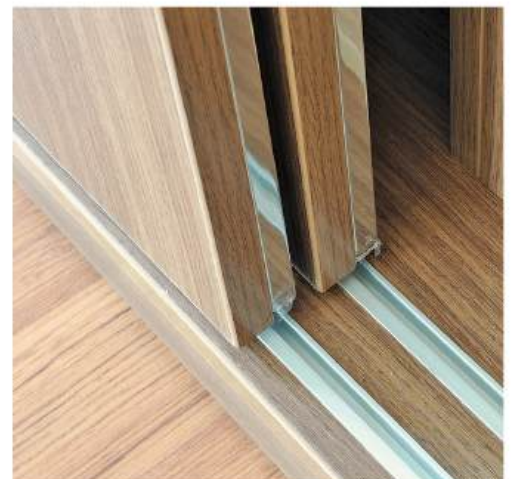
Upper Track & Down Track Runner
Qty : 8 Pcs.



Profile End Cap
Qty : 8 Pcs.



Up & Down Same Track
Aluminium Track Code : (WC-39)
Qty : 4 Pcs.



WARDROBE SLIDING SYSTEM (HEAVY DOOR)

Features

- + Visible Roller design for external Fixing, no need to make groove in the furniture
- + Designed for Heavy door panel of wood, Aluminium frame door etc
- + Available in 2 doors and 3 doors fitting
- + Best soft closing function
- + Easy to regulate the door gap by adjusting screw on runner.
- + High quality German imported POM material runner, which gives high strength to runner.
- + Door Thickness : 20mm



Product Code	Door Weight	Door Thickness	No. of Doors
WR-46-2	≤ 60 Kgs	20 mm	2
WR-46-3	≤ 60 Kgs	20 mm	3

					
Right Upper Runner	Left Upper Runner	Bottom Runner	Soft Closing Device	Alu. Upper Track Code : (WC-46A)	Alu. Bottom Track Code : (WC-46B)
Double Door Fitting Accessories					
Qty : 2 Pcs.	Qty : 2 Pcs.	Qty : 4 Pcs.	Qty : 4 Pcs.	Qty : 1 Pcs.	Qty : 1 Pcs.
Three Door Fitting Accessories					
Qty : 3 Pcs.	Qty : 3 Pcs.	Qty : 6 Pcs.	Qty : 4 Pcs.	Qty : 1 Pcs.	Qty : 1 Pcs.

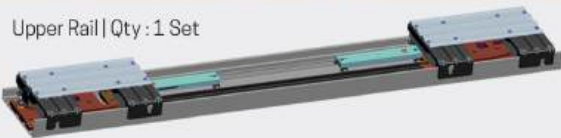
WARDROBE IN LINE SLIDING SYSTEM

Features

- + Two Door Close as one Piece
- + Best soft closing function
- + Easy Installation
- + Door load Capacity maximum of 60 Kgs.
- + Easy to regulate the door gap by adjusting screw on runner.
- + Automatically cleaning Dust in track with brush to ensure smooth and simple soft close
- + Application for wooden Door
- + Door thickness : 18 to 45mm



Upper Rail | Qty : 1 Set



Bottom Rail | Qty : 1 Set



Left Bottom Runner
Qty : 1 Set



Right Bottom Runner
Qty : 1 Set



Regulator (A)
Qty : 2 Set



Regulator (B)
Qty : 2 Set



Bottom Track Fixed Block
Qty : 8 Pcs.



Bottom Track Lock Block
Qty : 8 Pcs.

Product Code	Door Weight	Door Thickness	No. of Doors	Cabinet inside Width
Line 195	≤ 60 Kgs	18 to 45mm	2	1950 mm
Line 235	≤ 60 Kgs	18 to 45mm	2	2350 mm

Installation Requirement



WARDROBE ACCESSORIES



TROUSER RACK

Product Code	Size (WxDxH) (mm)	Cabinet Size
TRS-900	864 x 478 x 53	900 mm



WARDROBE SLIDING MIRROR

Product Code	Size (WxDxH) (mm)	Cabinet Size
MR-1200	80 x 356 x 1200	Side Mounting



ACCESSORIES ORGANISER BASKET

Product Code	Size (WxDxH) (mm)	Cabinet Size
ACC-600	564 x 478 x 73	600 mm
ACC-900	864 x 478 x 73	900 mm



RATTAN BASKET

Product Code	Size (WxDxH) (mm)	Cabinet Size
RTN-600	564 x 478 x 165	600 mm
RTN-900	864 x 478 x 165	900 mm



GLASS BASKET

Product Code	Size (WxDxH) (mm)	Cabinet Size
GLB-600	564 x 478 x 137	600 mm
GLB-900	864 x 478 x 137	900 mm



SHOES BASKET

Product Code	Size (WxDxH) (mm)	Cabinet Size
SHO-900	864 x 478 x 160	900 mm



COAT HANGER

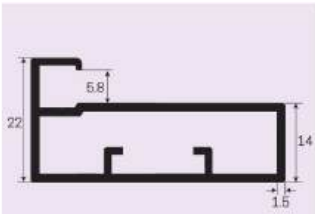
Product Code	Size (WxDxH) (mm)	Cabinet Size
CH-TOP	40 x 305 x 50	Top Mounting



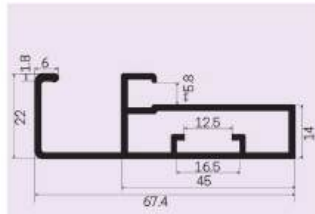
TIE & BELT RACK

Product Code	Size (WxDxH) (mm)	Cabinet Size
TBR-SIDE	78 x 460 x 50	Side Mounting

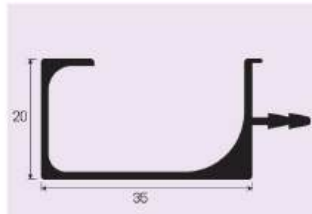
ALUMINIUM PROFILES



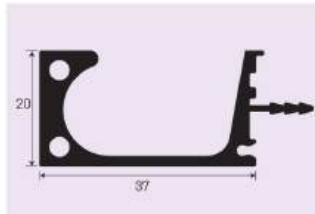
Code : 03
Glass Size : 4mm
Finish : Anodize/SS/CP
Size : 3 Mtr.
Packing : 10 Pcs.



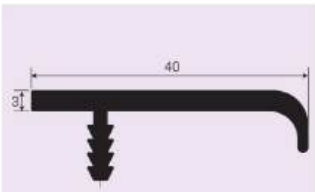
Code : 05
Glass Size : 4mm
Finish : Anodize/SS/CP
Size : 3 Mtr.
Packing : 10 Pcs.



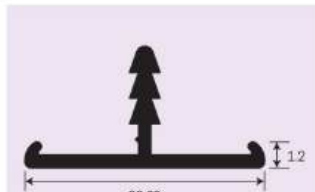
Code : 13
Finish : Anodize/SS/CP
Size : 3 Mtr.
Packing : 10 Pcs.



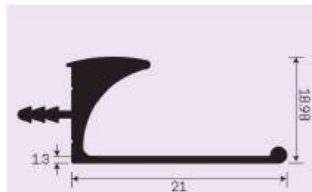
Code : 15
Finish : Anodize/SS/CP
Size : 3 Mtr.
Packing : 10 Pcs.



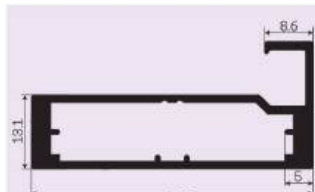
Code : 18
Finish : CP/RG
Size : 3 Mtr.
Packing : 10 Pcs.



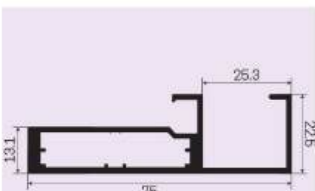
Code : 21
Finish : Anodize
Size : 3 Mtr.
Packing : 40 Pcs.



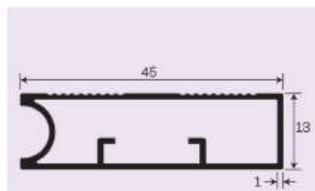
Code : 28
Finish : CP/RG
Size : 3 Mtr.
Packing : 20 Pcs.



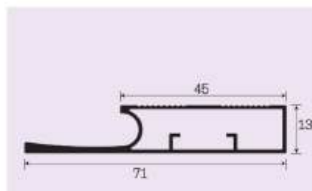
Code : 31
Glass Size : 6mm
Finish : SS
Size : 3 Mtr.
Packing : 10 Pcs.



Code : 32
Glass Size : 6mm
Finish : SS
Size : 3 Mtr.
Packing : 10 Pcs.



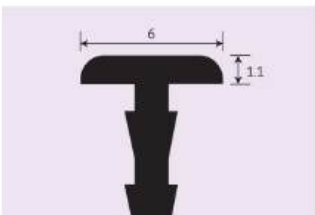
Code : 41
Finish : CP
Size : 3 Mtr.
Packing : 10 Pcs.



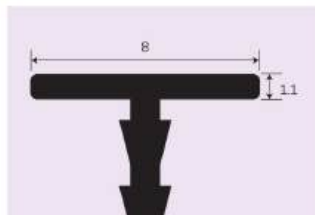
Code : 42
Finish : CP
Size : 3 Mtr.
Packing : 10 Pcs.



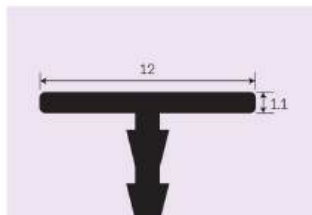
Code : 51
Glass Size : 10 & 12mm
Finish : Anodize/SS
Size : 3 Mtr.
Packing : 5 Set



Code : 06
Finish : CP/RG/GL
Size : 3 Mtr.
Packing : 100 Pcs.



Code : 08
Finish : CP/RG/GL
Size : 3 Mtr.
Packing : 100 Pcs.



Code : 12
Finish : CP
Size : 3 Mtr.
Packing : 100 Pcs.



Code : 10
Finish : CP
Size : 3 Mtr.
Packing : 100 Set

ALUMINIUM PROFILES

Code : 61
Glass Size : 6mm
Finish : Anodize
Size : 3 Mtr.
Packing : 10 Pcs.

Code : 62
Glass Size : 6mm
Finish : Anodize
Size : 3 Mtr.
Packing : 10 Pcs.

Code : WC-39 (Top & Bottom)
Finish : Anodize
Size : 3 & 4 Mtr.
Packing : 40 Pcs.

Code : WC-46 (Top & Bottom)
Finish : Anodize
Size : 3 & 4 Mtr.
Packing : 10 Set

PVC ENDCAP 13

Code : EC-13
Finish : Grey/Chrome

PVC ENDCAP 15

Code : EC-15
Finish : Grey/Chrome/RG

Finish Description

Anodize	Anodize
SS	Brush Silver
CP	Mirror Finish
RG	Rose Gold
GL	Gold

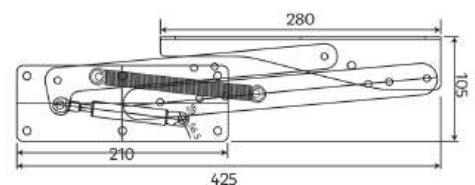
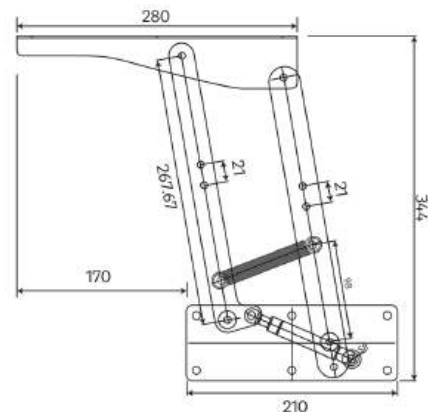


SMART FURNITURE MECHANISM COFFEE TABLE (LIFT UP)



Features

- + Multipurpose use
- + Elegant appearance
- + Storage under lift up
- + Tabletop can lift up and forward to create versatile work surface for mobile computing, reading, dining and crafting
- + Soft Closing



CTB-200 (Soft Closing)

Material : Hardened Cold Rolled Steel

Finishing : Black Electrophoresis

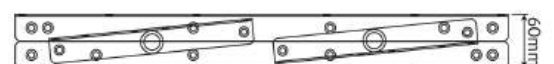
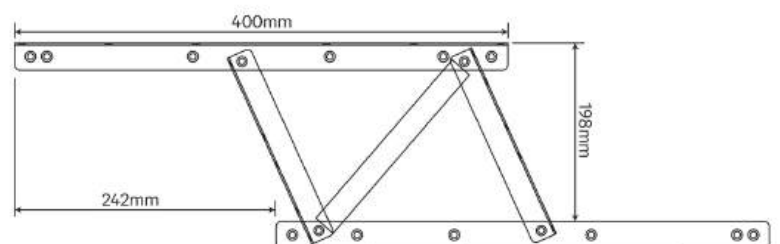
Product Code	Table Size	Lift up Height
CTB-200	Free Size	344mm

SMART FURNITURE MECHANISM COFFEE TABLE (LIFT UP)



Features

- + Multipurpose use
- + Elegant appearance
- + Storage under lift up
- + Tabletop can lift up and forward to create versatile work surface for mobile computing, reading, dining and crafting



CTB-100

Material : Hardened Cold Rolled Steel
Finishing : Black Electrophoresis

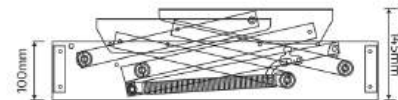
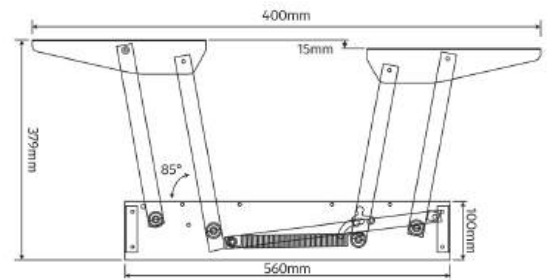
Product Code	Table Size	Lift up Height
CTB-100	Free Size	198mm

SMART FURNITURE MECHANISM COFFEE/DINING TABLE (LIFT UP)



Features

- + Multipurpose use
- + Elegant appearance
- + Storage under lift up
- + Can be Used as a Dining table / Coffee table / Reading table



DTB-300 (Soft Closing)

Material : Hardened Cold Rolled Steel

Finishing : Black Electrophoresis

Product Code	Table Size	Lift up Size
DTB-300	Free Size	510mm

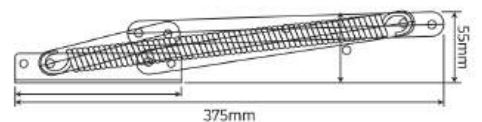
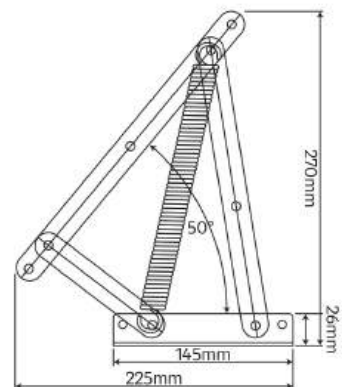


SMART FURNITURE MECHANISM SOFA (LIFT UP)



Features

- + Effortless lifting up Sofa Seat
- + Provides Storage in Sofa



SOFA-10

Material : Hardened Cold Rolled Steel
Finishing : Black Electrophoresis

Product Code	Sofa Size
Sofa-10	Free Size

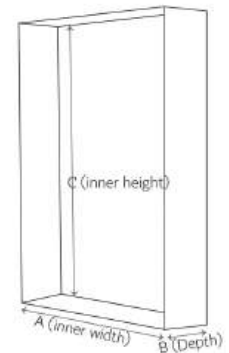
SMART FURNITURE MECHANISM WALL BED (VERTICAL)



Features

- + Wall Mounted, Collapsible
- + Saves a lot of Space
- + Ease of use
- + Comfortable as a Conventional Bed

Product Code	Size	A (inner width)	B (depth)	C (inner height)
WB-900-V	900 x 2000mm	970mm	350mm	2030mm
WB-1500-V	1500 x 2000mm	1570mm	350mm	2030mm

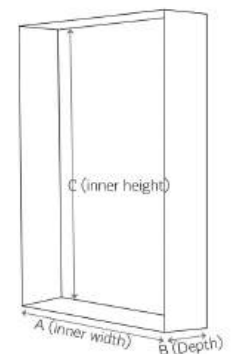


SMART FURNITURE MECHANISM WALL BED & DESK (VERTICAL)



Features

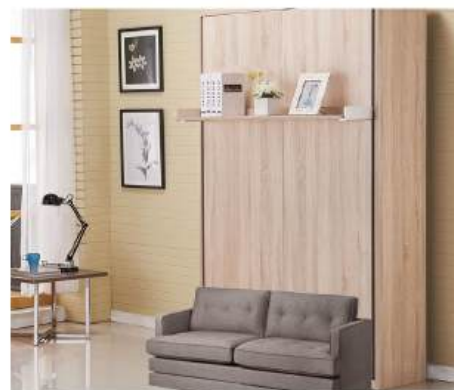
- + Wall Mounted, Collapsible
- + Saves a lot of Space
- + Ease of use
- + Comfortable as a Conventional Bed
- + Usable as Study table, Writing desk



Product Code	Size	A (inner width)	B (depth)	C (inner height)
WB-900-Desk	900 x 2000mm	970mm	350mm	2030mm
WB-1500-Desk	1500 x 2000mm	1570mm	350mm	2030mm



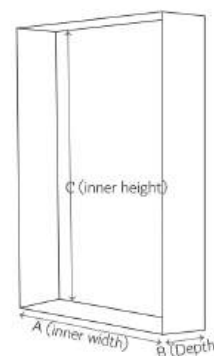
SMART FURNITURE MECHANISM WALL BED (SOFA)



Features

- + Wall Mounted, Collapsible
- + Saves a lot of Space
- + Ease of use
- + Comfortable as a Conventional Bed
- + Full utilization of leaving room, use as a Sofa and Bed

Product Code	Size	A (inner width)	B (depth)	C (inner height)
WB-1500-Sofa	1500 x 2000mm	1584mm	400mm	2060mm

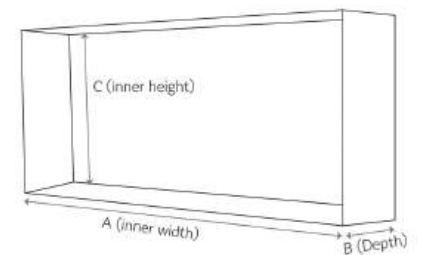


SMART FURNITURE MECHANISM WALL BED (HORIZONTAL)



Features

- + Wall Mounted, Collapsible
- + Saves a lot of Space
- + Ease of use
- + Comfortable as a Conventional Bed



Product Code	Size	A (inner width)	B (depth)	C (inner height)
WB-900-H	900 x 2000mm	2070mm	350mm	930mm
WB-1500-H	1500 x 2000mm	2070mm	350mm	1530mm



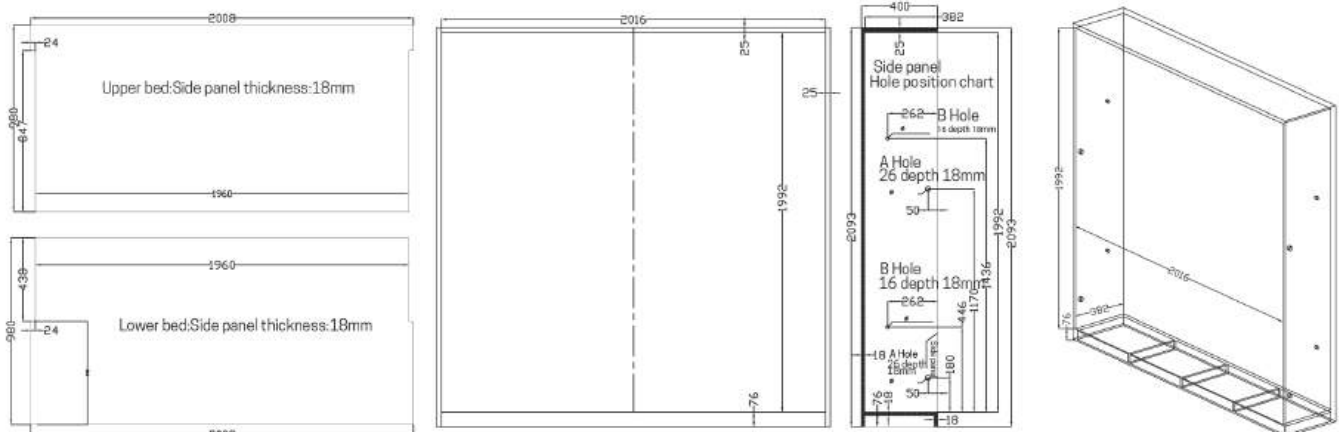
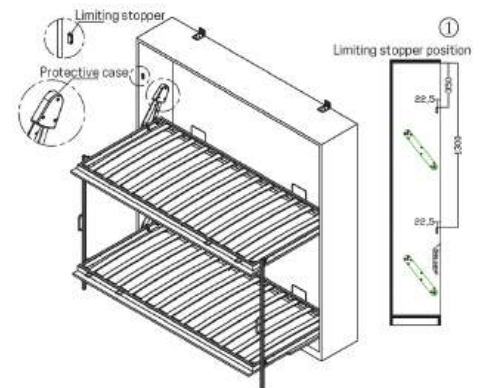
SMART FURNITURE MECHANISM WALL DOUBLE BED (HORIZONTAL)



Features

- + Wall Mounted, Collapsible
- + Saves a lot of Space
- + Ease of use
- + Comfortable as a Conventional Bed

Product Code	Size
WB-DBL-H	900mm X 2000mm



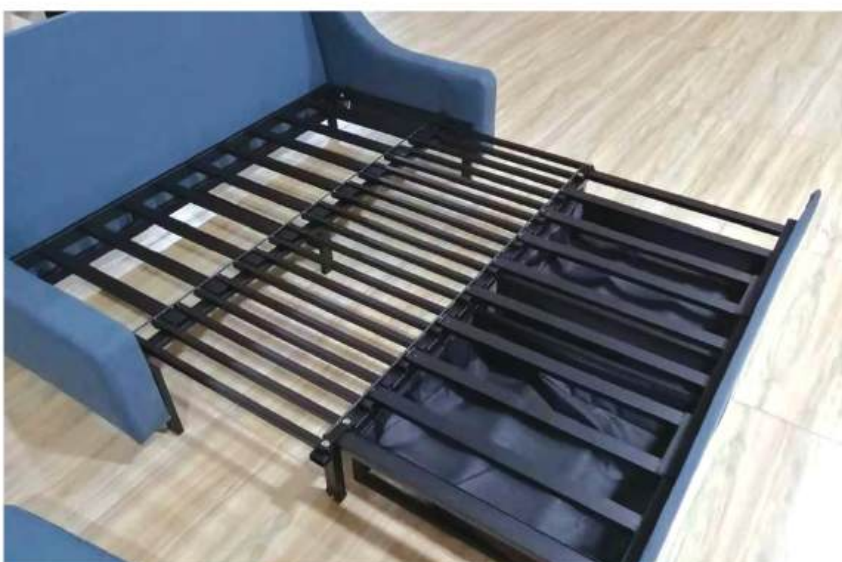
SMART FURNITURE MECHANISM SOFA CUM BED



Features

- + Saves a lot of Space
- + Ease of use
- + Comfortable as a Conventional Sofa cum Bed

Product Code	Size (Sofa)	Size (Bed)
SCB-1500	1500x700mm	1500x2000mm



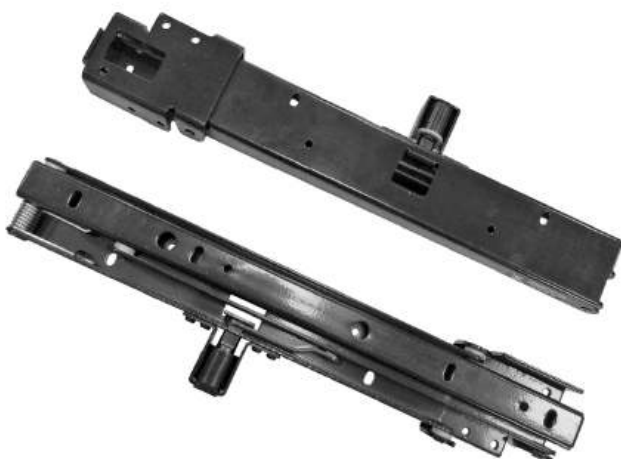
SMART FURNITURE MECHANISM SHOE CABINET FOLDING DESK



Product Code	Size
SFD-750	750mm

Features

- + Ease of use
- + Comfortable to sit and wear Shoes





ATUL BRASS WORKS

Importers & Exporter of Builders Hardware

Registered Office :

303/A, Byculla Service Industries,
Dadoji Konddev Cross Marg, Byculla(E),
Mumbai 400027, INDIA

Tel : +91 22 49713119

Email : atulbrass@hotmail.com

Web : www.excellenza.co.in